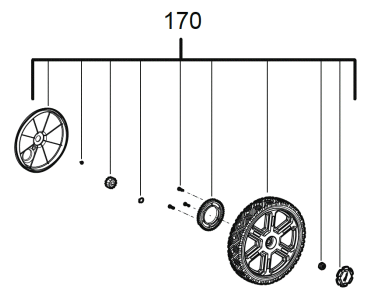
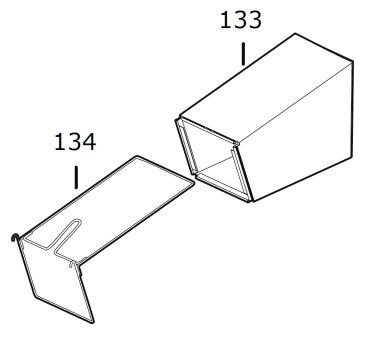
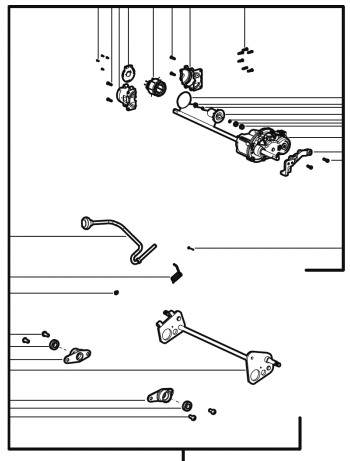
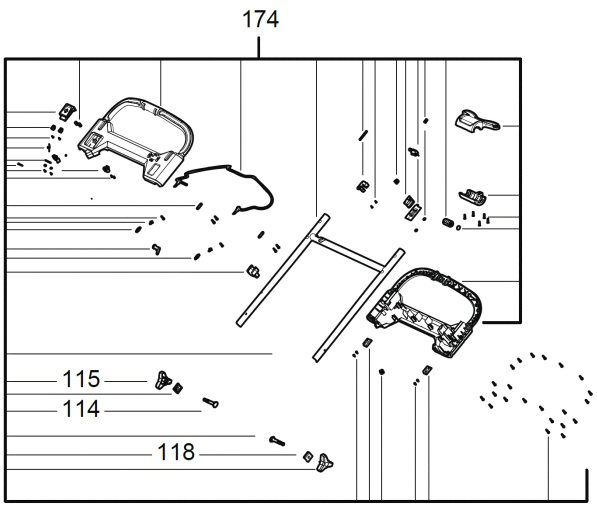
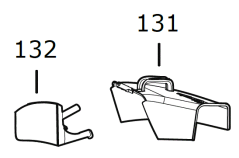
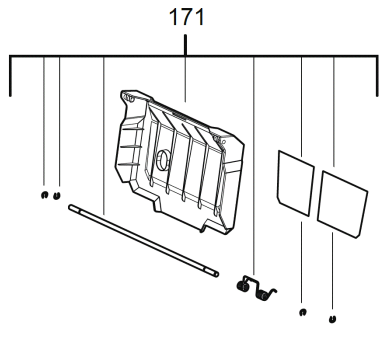
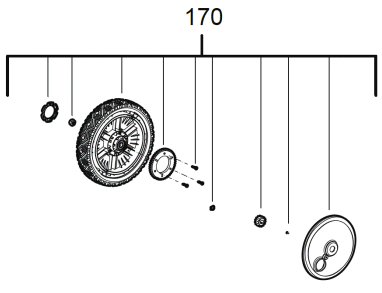
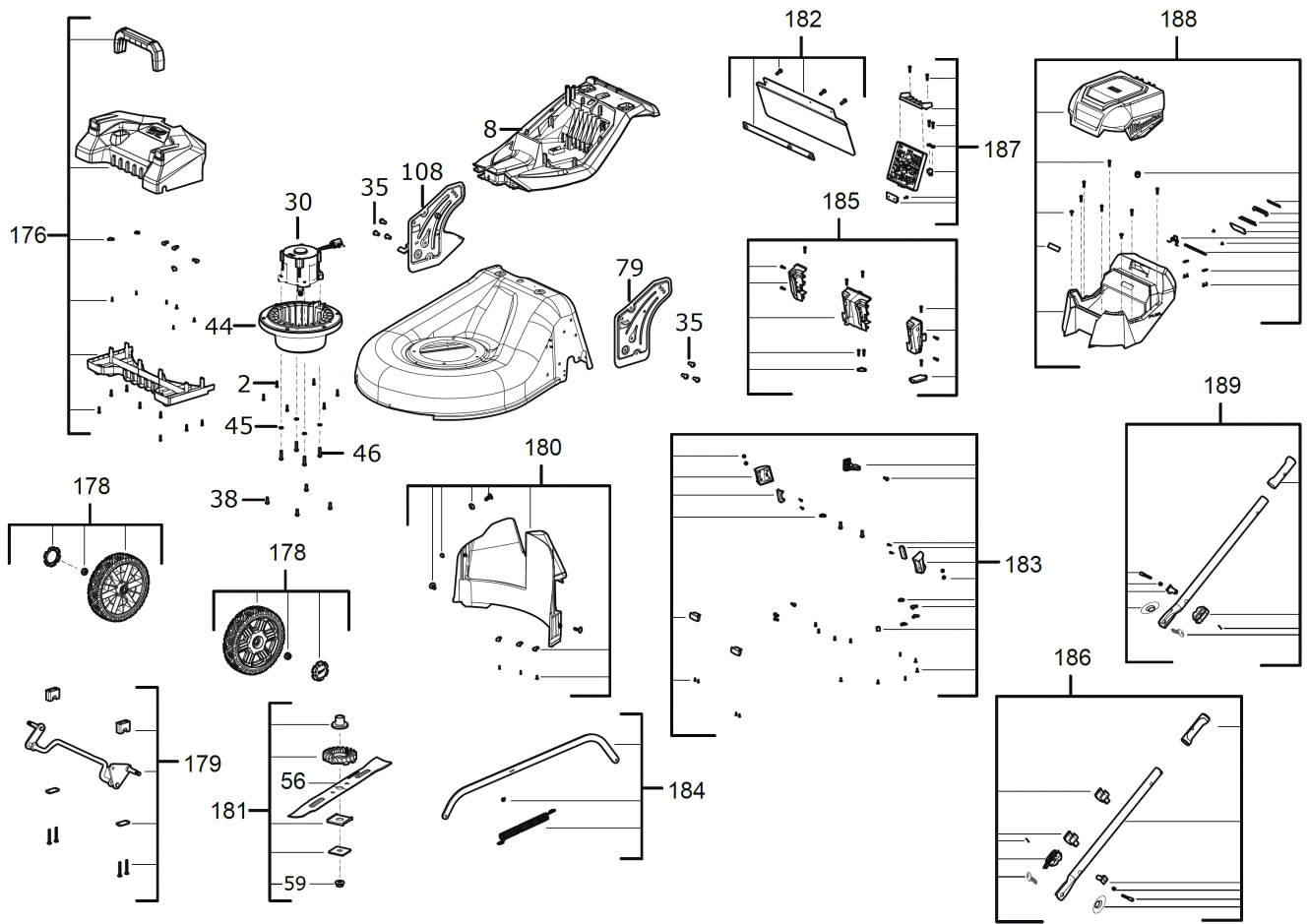


M18F2LM53-122 SELF-PROP. LAWN MOWER IN2

4933479585 - M18F2LM53-122 - 4000497258







Position	Quantity	Description	Part number	EAN
0002 1	6	SCREW	4931479948	4058546397111
0008 2	1	HOUSING	4931494111	4058546429928
0030 3	1	MOTOR	4931494112	4058546429935
0035 4	6	SCREW	4931494113	4058546429942
0038 5	4	SCREW	4931494114	4058546429959
0044 6	1	MOTOR HOUSING	4931496855	4058546539924
0045 7	4	WASHER	4931480509	4058546425241
0046 8	4	SCREW	4931494116	4058546429973
0056 9	1	MOWER BLADE 21IN/ 53 CM	4932479818	4058546376123
0059 10	1	FLANGE NUT	4931496385	4058546535223
0079 11	1	BRACKET	4931494117	4058546429980
0108 12	1	BRACKET	4931494118	4058546466909
0114 13	2	SCREW	4931480478	4058546424930
0115 14	2	KNOB HANDLE	4931480479	4058546424947
0118 15	2	HOLDING PLATE	4931480480	4058546424954
0131 16	1	DIRECT.DUST CHUTE	4931495374	4058546490423
0132 17	1	GUARD PLUG	4931495375	4058546490430
0133 18	1	GRASS-CATCHING BAG	4931495376	4058546490447
0134 19	1	FRAME	4931495377	4058546490454
0148 20	1	RATING PLATE	4931495437	4058546491055
0170 21	2	DRIVE WHEEL	4931480482	4058546424978
0171 22	1	COVER ASSY	4931480483	4058546424985
0174 23	1	HANDLE COMPL.	4931480486	4058546425012
0175 24	1	DRIVE MOTOR	4931480487	4058546425029
0176 25	1	HOUSING	4931480488	4058546425036
0178 26	2	WHEEL	4931480490	4058546425050
0179 27	1	AXLE	4931480491	4058546425067
0180 28	1	DEFLECTOR	4931480492	4058546425074
0181 29	1	CLAMPING SET	4931480493	4058546425081
0182 30	1	GUARD CAP SET	4931480494	4058546425098
0183 31	1	LED LIGHT	4931480495	4058546425104
0184 32	1	SUPPORT BRACKET	4931480496	4058546425111
0185 33	1	GUIDE RAIL	4931480497	4058546425128
0186 34	1	HANDLE RIGHT	4931480498	4058546425135
0187 35	1	ELECTRONIC	4931480499	4058546425142
0188 36	1	BATTERY BOX	4931495378	4058546490461
0189 37	1	HANDLE LEFT	4931480501	4058546425166